



www.santos.fr

**ESPRESSO COFFEE  
GRINDER # 06**



Internationally patented models





## THE GENUINE ESPRESSO COFFEE GRINDER

### Traditional reliable and robust coffee grinder.

Easy to use and efficient, the coffee grinder # 06 will give you a high quality grinding. Ideal for hotels, bars, restaurants, catering...



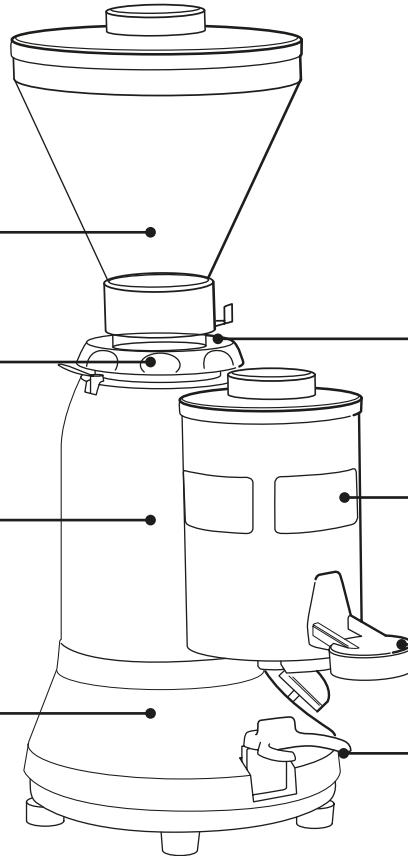
**Average output  
8 kg/hour**

1 kg (2.2 lbs) hopper

**Precision grinding,**  
from very fine to coarse.  
Easy to adjust

**Powerful reliable commercial motor**  
**5-year warranty**

Stainless steel and aluminium body



**# 06A Automatic espresso coffee grinder:** Starts and stops automatically to keep the portion dispenser full.

**Ø 63.5 mm (2,5") grinding discs:**  
high resistance, long lasting  
**Designed and manufactured  
by Santos for a high quality grinding**

**Very precise volumetric dispenser  
with counter.**  
Easy to adjust dosing (from 6.5 to 9grams)

**Universal tamper**  
Ø 55 mm for all filters (single, double)

Filter holder fork, **for all types  
of filter holders**

## + A FULL RANGE OF ESPRESSO COFFEE GRINDERS

06



**Historic**  
Reliable and robust

40 A



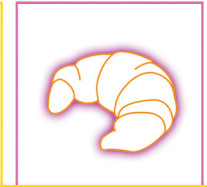
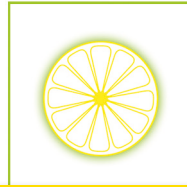
**Classic**  
Silent, reliable and robust

55



**Automatic**  
Silent and quick.  
Warranty of fresh ground coffee

# ESPRESSO COFFEE GRINDER #06



## COFFEE GRINDERS: SANTOS KNOW-HOW

www.santos.fr

### Santos, more than 60 years experience

- Since 1954, we manufacture our own grinding discs for better results
- Santos is the leader in “Silent” coffee grinders for 20 years
- Constant and fine grinding, constant portion dispensed
- No “burn coffee” effect while grinding, no electrostatic coffee phenomenon
- Easy to adjust (grinding and dosing) and to maintain (changing the grinding discs is very easy)



### TECHNICAL SPECIFICATIONS



#### Motor

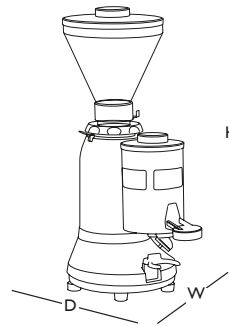
Single phase: 100-120V – 50/60 Hz – 310W – CE, UL  
220-240V – 50/60 Hz – 360W – CE

Speed: 1 500rpm (50Hz)  
1 800rpm (60Hz)

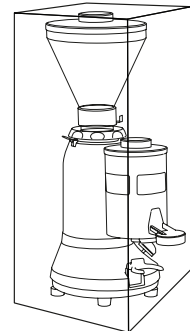


#### Weight

Net: 10Kg (22lbs)  
Shipping: 11,5Kg (25lbs)



**APPLIANCE**  
D : 350 mm (14")  
W : 230 mm (9")  
H : 570 mm (22")



**SHIPPING BOX**  
D : 540 mm (21")  
W : 290 mm (11")  
H : 350 mm (14")

### SAFETY, STANDARDS, HYGIENE

#### In accordance with the following regulations

Machinery directive 2006/42/EC  
Electromagnetic compatibility 2004/108/EC  
“Low voltage” Directive 2006/95/EC  
Regulation 1935/2004/EC (contact with food)  
RoHS directive 2002/95/EC

#### Harmonized European Standards

EN ISO 12100-1 and 2 :2004  
EN 60204-1 : 2006  
EN 60335-2-64 :2004 Commercial electric kitchen machines  
CE (European standards), UL (USA) and cUL (Canada)

#### Electrical safety

- On/Off interlock switch is waterproof
- All mechanical parts are ground (earth) connected
- All equipment is perfectly controlled after assembly (special electrical testing bay)

#### Thermal Safety

Motor protected by internal thermal detector

#### Acoustic Safety

Very silent asynchronous motor

#### Hygiene

All removable parts can be put in a dishwasher or easily cleaned with hot soapy water.

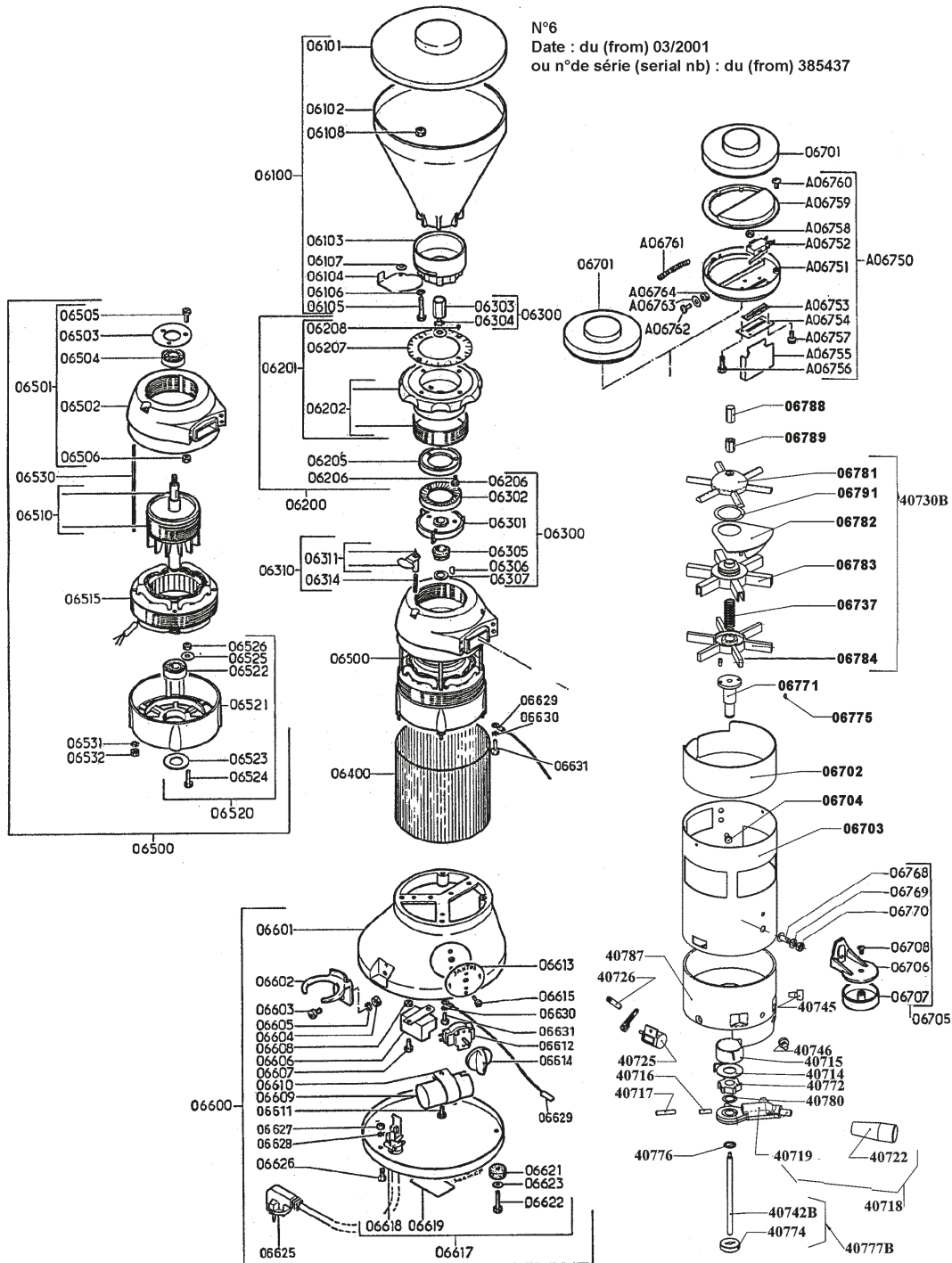
**PRODUCT: 2-YEAR WARRANTY – MOTOR: 5-YEAR WARRANTY**





# ESPRESSO COFFEE GRINDER # 06

www.santos.fr



**SANTOS**

140-150 Avenue Roger Salengro BP 80 067 – 69511 Vaulx-en-velin Cedex (Lyon) – FRANCE

Tel. +33 4 72 37 35 29 – Fax. +33 4 78 26 58 21 – Website: [www.santos.fr](http://www.santos.fr) – Email: [santos@santos.fr](mailto:santos@santos.fr)

Follow us on #SantosAddict social networks   